

iPUX

Pan-Tilt MPEG4/MJPEG Network Camera

QUICK INSTALLATION GUIDE

Version 1.0

Big Good Holdings Limited



1 Getting Started

Package Contents

Check the items contained in the package carefully. You should have the following items. Once any item contained is damaged or missing, contact the authorized dealer of your locale.

- One Pan-Tilt MPEG4/MJPEG Network Camera
- One AC Power Adapter
- One External Antenna (for wireless model)
- One Wall Mount Kit
- One GPIO Connector
- One Ethernet Cable (RJ-45 type)
- One Installation CD-ROM
- One *Quick Installation Guide*

System Requirement

■ Networking

LAN: 10Base-T Ethernet or 100Base-TX Fast Ethernet
WLAN: IEEE 802.11b/g (for wireless model)

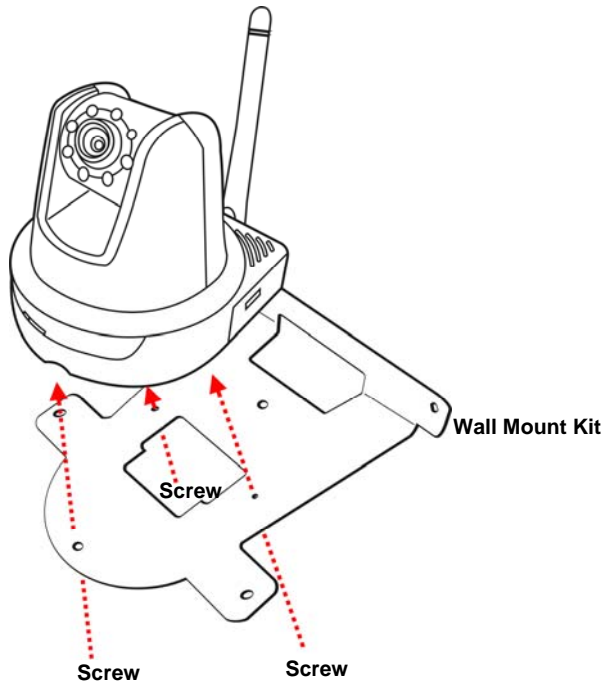
■ Accessing the Camera using Web Browser

Platform: Microsoft® Windows® 2000/XP/Vista
CPU: Intel Pentium III 800MHz or above
RAM: 512MB
Resolution: 800x600 or above
User Interface: Microsoft® Internet Explorer 6.0 or above
Mozilla Firefox 2.00 or above
Apple Safari 2 or above

2 Setting Up the Camera

Installing the Wall Mount Kit

The camera comes with a Wall Mount Kit, which allows you to place your camera anywhere by mounting the camera through the three screw holes located in the base of the Wall Mount Kit.

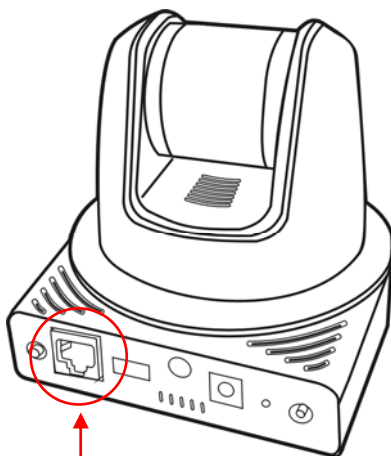


Connecting the Camera to LAN

Use the provided Ethernet cable to connect the camera to your local area network (LAN).

When you connect the AC power adapter, the camera is powered on automatically. You can verify the power status from the Power LED on the front panel of the camera.

Once connected, the Link LED starts flashing green light and the camera is on standby and ready for use now.

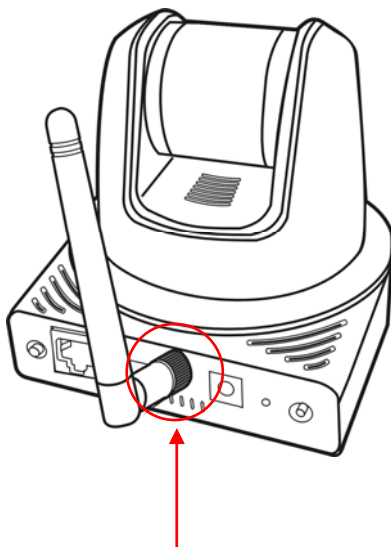


Connecting the Ethernet Cable

Connecting the Camera to WLAN

If you use a wireless network in your application environment, you need to attach the included external antenna to the camera.

When the camera is powered on, the camera will automatically search any access point with “default” SSID.



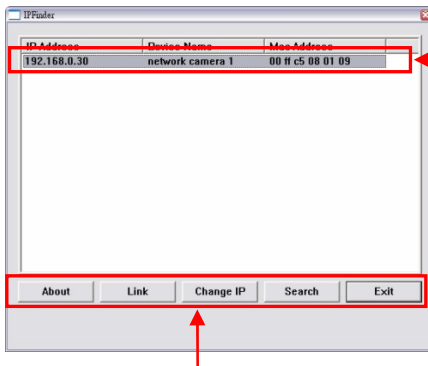
Connecting the External Antenna

NOTE If the camera cannot to your wireless network, you need to install the camera in LAN and proceed with WLAN settings.

3 Accessing the Camera

Using IPFinder

1. Insert the Installation CD-ROM into your computer's CD-ROM drive to initiate the Auto-Run program.
2. Click the **IPFinder** item to launch the utility. The control panel will appear as below.



Display the connected camera(s). Double click to link the Camera.

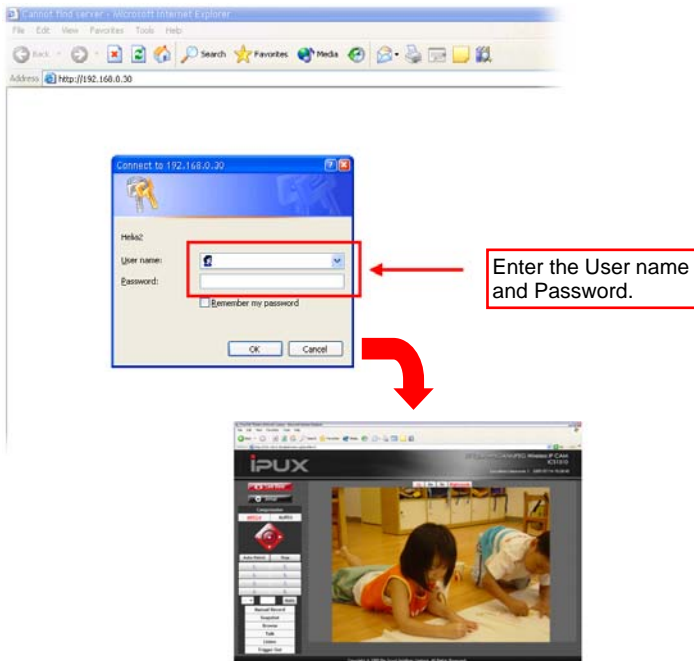
Click **About** to get the Version information of IPFinder.
Click **Link** to connect the selected camera.
Click **Change IP** to modify the IP address of the selected camera.
Click **Search** to find the IP address of the connected camera(s).
Click **Exit** to close the utility.

3. Once you get the IP address of the camera, launch the Web browser or UltraView to access your camera.

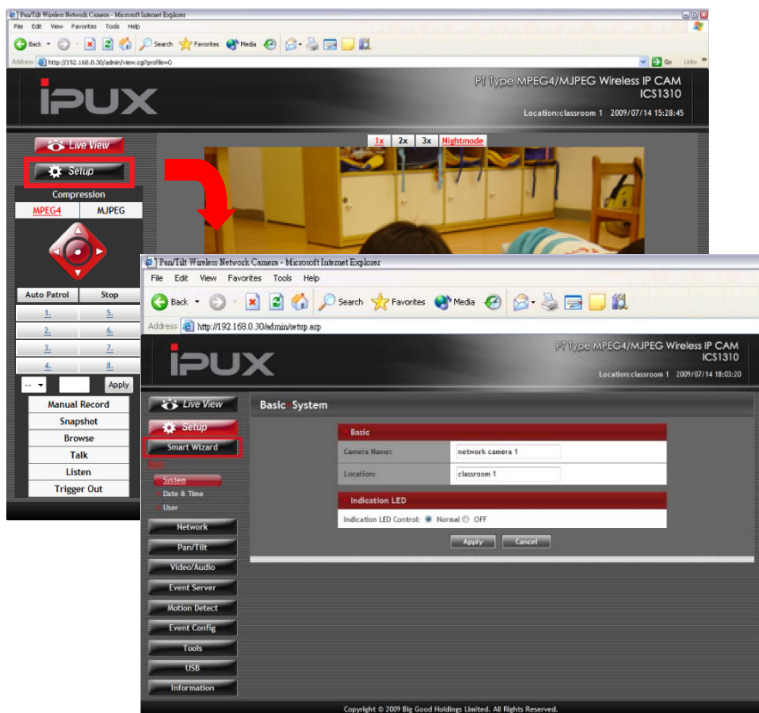
TIP The Installation CD-ROM provides a setup program that allows you to install IPFinder on your computer. To install IPFinder, click **Install Software** then select **IPFinder** on the Auto-Run screen.

Accessing to the Camera

1. Since the default configuration of the camera is DHCP mode enabled, you are recommended to launch IPFinder to search the IP address that is assigned to the camera by the DHCP server, and then click **Link** to access the camera via the Web browser.
2. If Network Camera can't get IP Address under DHCP mode, the default IP Address will be **192.168.0.30**.
3. When the login window appears, enter the default User name (admin) and password (admin) and press OK to access to the main screen of the camera's Web Configuration.



4. Click **Setup** and then **Smart Wizard** to set up your camera quickly. The Smart Wizard will guide you through the necessary settings with detailed instructions on each step.



4 Tips

For more information, please refer to the *Advanced Installation Guide* on the provided Installation CD-ROM.

For details of operating UltraView, please refer to the *Software User Guide* on the provided Installation CD-ROM.

If you have any problem on the product(s), please contact your local authorized dealer.